



High performance LED tallpack. Covers footprint of most HID Tallpacks. Vandal resistant lens. Precision die-cast aluminum. 0-10V dimmable driver with 120-277V photocell.

Color: White

Weight: 6.5 lbs

<b>Project:</b>	<b>Type:</b>
<b>Prepared By:</b>	<b>Date:</b>

Driver Info		LED Info	
Type:	Constant Current	Watts:	12W
120V:	0.108A	Color Temp:	4000K
208V:	0.068A	Color Accuracy:	73 CRI
240V:	0.059A	L70 Lifespan:	100000
277V:	0.053A	Lumens:	1374
Input Watts:	14W	Efficacy:	102 LPW
Efficiency:	89%		

## Technical Specifications

### Listings

#### UL Listing:

Suitable for wet locations. Wall mount only.

#### IESNA LM-79 & LM-80 Testing:

RAB LED luminaires have been tested by an independent laboratory in accordance with IESNA LM-79 and LM-80, and have been received the Department of Energy "Lighting Facts" label.

### LED Characteristics

#### Lifespan:

100,000-hour LED lifespan based on IES LM-80 results and TM-21 calculations.

#### LEDs:

Long-life, high-efficiency surface mounting LEDs

#### Color Stability:

LED color temperature is warranted to shift no more than 200K in CCT over a 5 year period.

#### Color Uniformity:

RAB's range of CCT (Correlated Color Temperature) follows the guidelines of the American National Standard for Specifications for the Chromaticity of Solid State Lighting (SSL) Products, ANSI C78.377-2017.

### Electrical

#### Drivers:

Constant Current, Class 2, 300mA, 100-277V, 50-60Hz, 120V: 0.108A, 208V: 0.068A, 240V: 0.059A, 277V: 0.053A, Surge Protection: 6kV

#### Power Factor:

99.0% at 120V, 92.0% at 277V

#### THD:

11.3% at 120V, 12.5% at 277V

#### Dimming Driver:

0-10V dimming driver standard for ultimate flexibility. Use as on/off or utilize the 0-10V DC dimming circuit for controls.

#### Photocell:

Photocell is rated for 120V thru 277V. To disable, simply use the provide silicone rubber cap and cover.

### Optical

#### BUG Rating:

B0 U3 G2

### Construction

#### Ambient Temperature:

Suitable for -40°C (-40°F) to 40°C (104°F) ambient temperatures

#### Cold Weather Starting:

Minimum starting temperature is -40°C (-40°F)

#### Thermal Management:

Superior thermal management with die-cast aluminum heatsink

#### Housing:

Precision die-cast aluminum.

#### Refractor Lens:

High-impact, diffuse, UV-stabilized polycarbonate

#### Mounting:

Three (3) 1/2" NPS conduit entry points (2 sides for through-feed, and bottom), and drilling template for easy wall box mounting.

#### Reflector:

High-gloss white aluminum.

#### Gaskets:

High-temperature silicone gaskets

#### Finish:

Formulated for high-durability and long lasting color.

#### Green Technology:

Mercury and UV free. RoHS compliant components. Polyester powder coat finish formulated without the use of VOC or toxic heavy metals.

### Other

#### Equivalency:

Equivalent to 50W Metal Halide/35W HPS.

#### Warranty:

RAB warrants that our LED products will be free from defects in materials and workmanship for a period of five (5) years from the date of delivery to the end user, including coverage of light output, color stability, driver performance and fixture finish.

#### Patents:

The design of WPTLED is protected by patents pending in US, Canada, China, Taiwan and Mexico.

#### FTC Country of Origin:

This product was assembled in the USA by RAB using imported components.

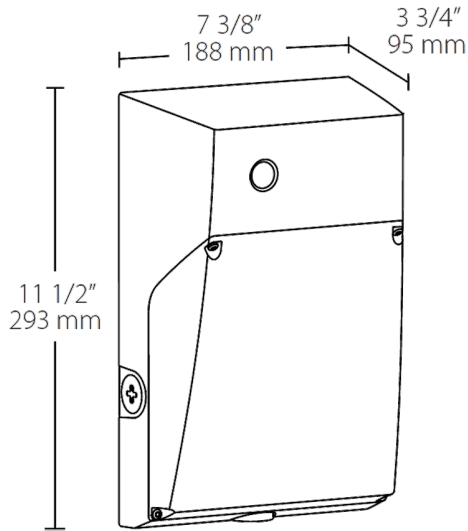
## Technical Specifications (continued)

### Other

#### Buy American Act Compliance:

This product complies with the Buy American Act.

### Dimensions



### Features

- Covers footprints of most HID tallpacks
- 0-10V dimmable driver & 120 - 277V photocell
- Vandal-resistant lens
- 100,000-Hour LED lifespan

### Ordering Matrix

Family	Wattage	Color Temp	Finish	Dimming	Photocell
WPTLED	12	N	W	/D10	/PC2
	12 = 12W 25 = 25W 40 = 40W	Blank = 5000K (Cool) Y = 3000K (Warm) N = 4000K (Neutral)	Blank = Bronze W = White	/D10 = Dimmable	/PC2 = 120-277V Photocell